

VE2126 C Band Coaxial Magnetron

Frequency range: C band(tunable)

Peak out power: $\geq 350\sim 500\text{kW}$

Anode voltage: $\leq 30\text{kV}$

Anode current: $\leq 40\text{A}$

Duty cycle: 0.001

Pulse duration: $2\pm 0.2\mu\text{s}$

Minor lobe Ratio: $\geq 10\text{dB}$

Heater voltage: $6.3\pm 0.5\text{V}$

Heater current: $19\pm 1\text{A}$

Cathode pre-heating time: $\geq 5\text{min}$

Output: Waveguide BJ48

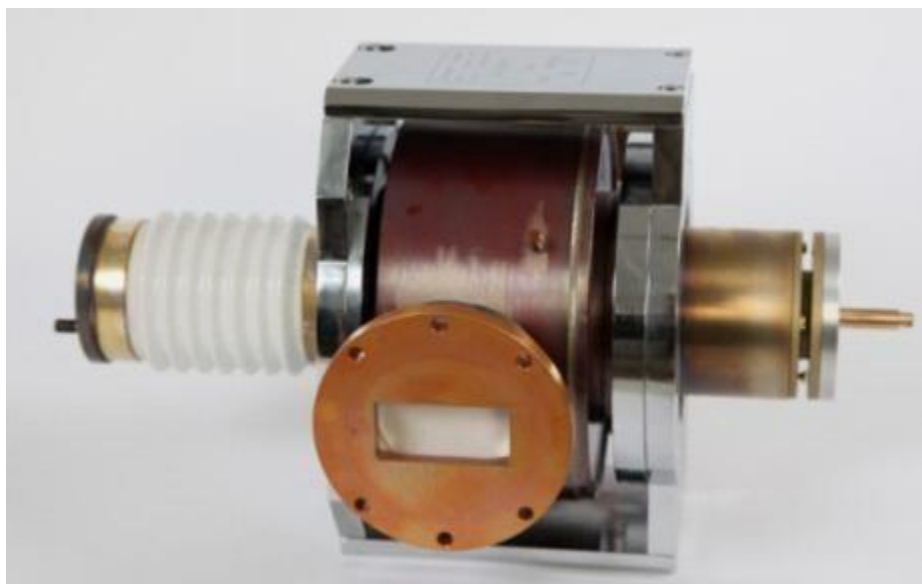
(WR 187 47.55x22.15mm internal)

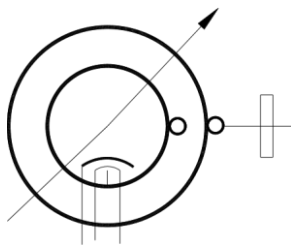
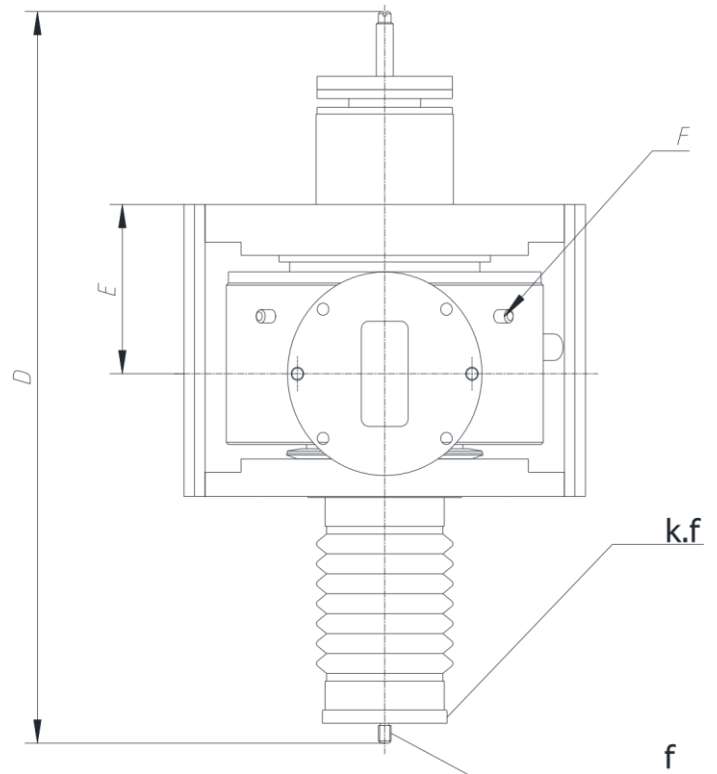
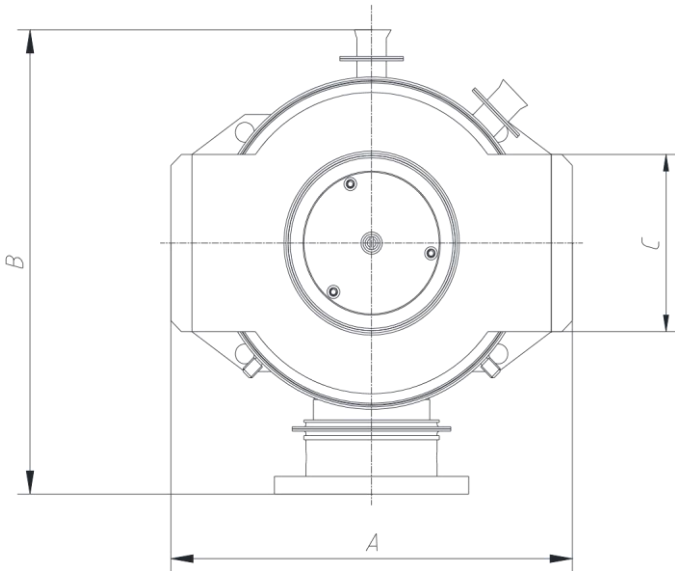
Cooling: Wind cooling

Net weight: $\leq 25\text{kg}$ (approx)

Life time: ≥ 2000 hours

Heater voltage reduction schedule: no



OUTLINE


<i>F</i>	<i>ANODE-GROUND</i>
<i>k.f</i>	<i>CATHODE</i>
<i>f</i>	<i>HEATER</i>

Ref	Millimeters
A	190±5
B	225±5
C	80±1
D	333±5
E	78±1