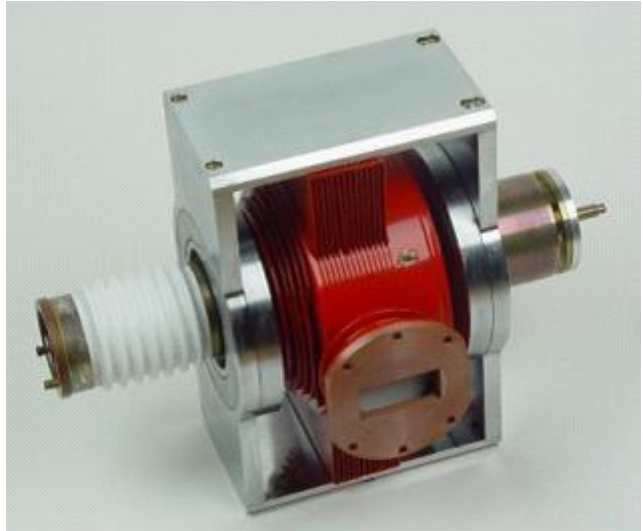
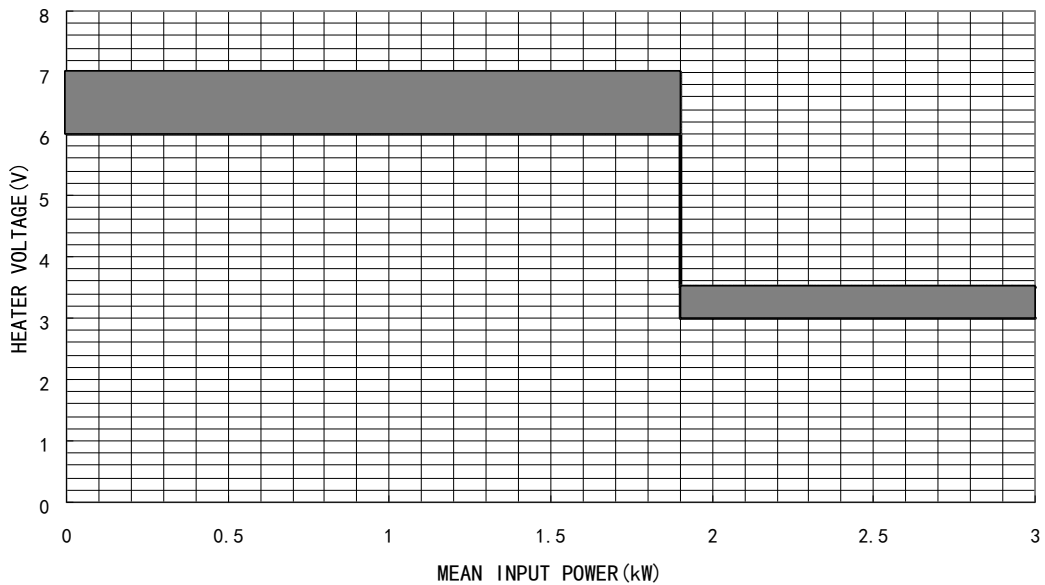


## VE2055 C Band Coaxial Magnetron

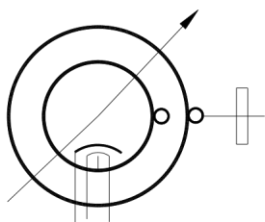
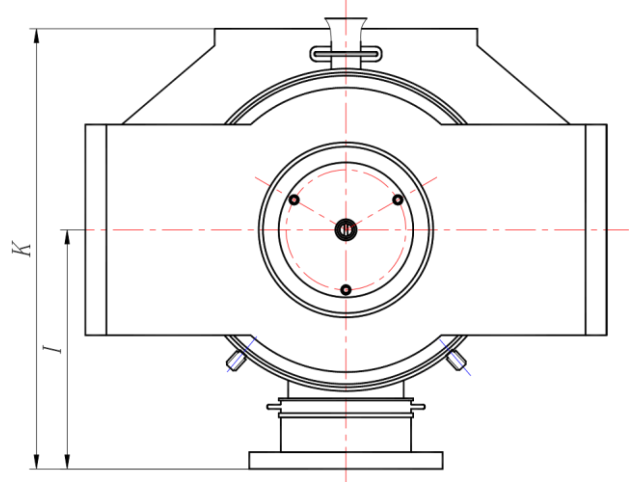
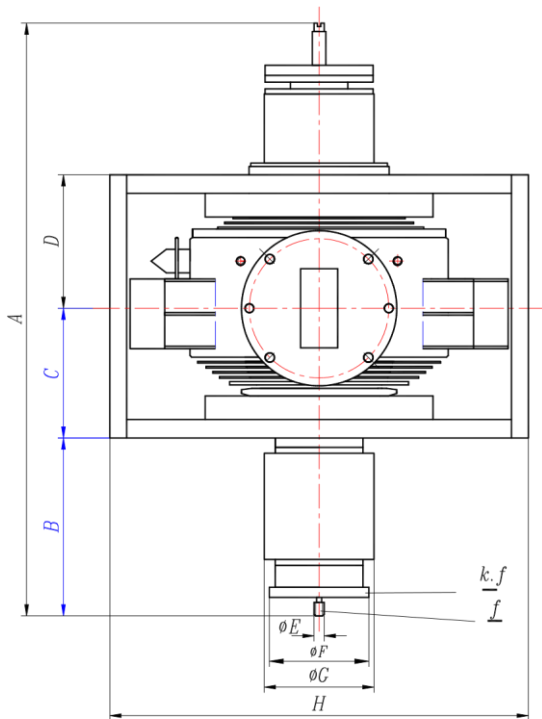
Frequency range: C band (tunable)  
 Peak out power:  $\geq 1000\text{kW}$   
 Anode voltage:  $\leq 40\text{kV}$   
 Anode current:  $\leq 60\text{A}$   
 Duty cycle: 0.001  
 Pulse duration:  $1.6\mu\text{s}, 1\mu\text{s}, 0.8\mu\text{s}, 0.5\mu\text{s}$   
 Minor lobe Ratio:  $\geq 12\text{dB}$   
 Heater voltage:  $6.5\text{V}$   
 Heater current:  $19\pm 1\text{A}$   
 Cathode pre-heating time:  $\geq 5\text{min}$  Output:  
     Waveguide      BJ48  
     (WR 187    $47.55 \times 22.15\text{mm}$    internal)  
 Cooling: Wind  
 Net weight:  $21\text{kg}$ (approx)  
 Life time: 2000 hours  
 Heater voltage reduction schedule: yes



### VE2055 heater voltage reduction schedule



**Note:** Mean input power =  $i_{\text{apk}} \times v_{\text{apk}} \times D_u$

**OUTLINE**


A	ANODE-GROUND
k.f	CATHODE
f	HEATER

---

Ref	Millimeters
-----	-------------

---

A	360
B	102
C	80
D	83
E	M6
F	59
G	65
H	245 I 115
K	212

---