

VE1142 C Band High Power Klystron Tube



Main Indexes

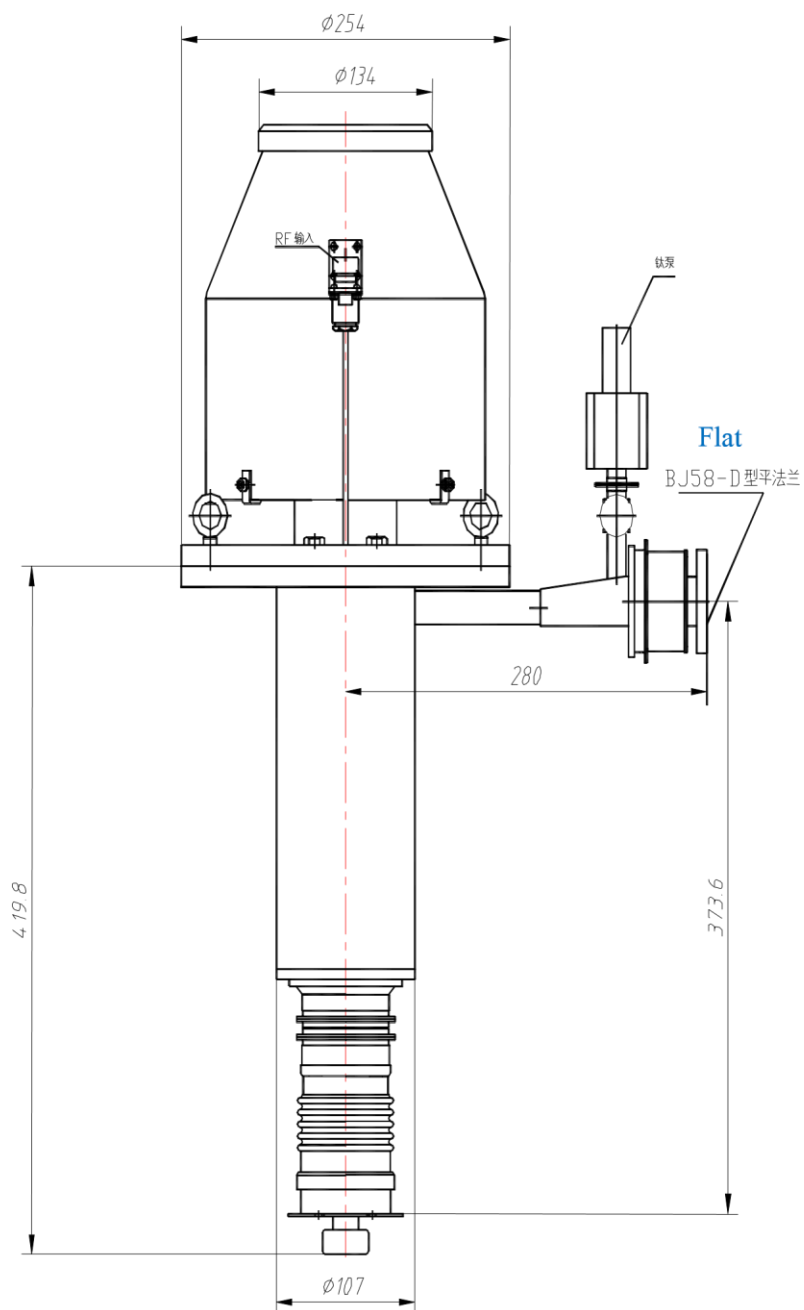
Frequency band:	C band
Bandwidth:	50MHz
Peak output power:	250~350kW
Electronic note voltage:	44~54 kV
Cathode pulse current:	10~12A
Efficiency:	≥45%
Radio frequency pulse width:	≤20μS
Max duty cycle:	radio frequency 4‰ video 6‰
Input incentive:	≤4W



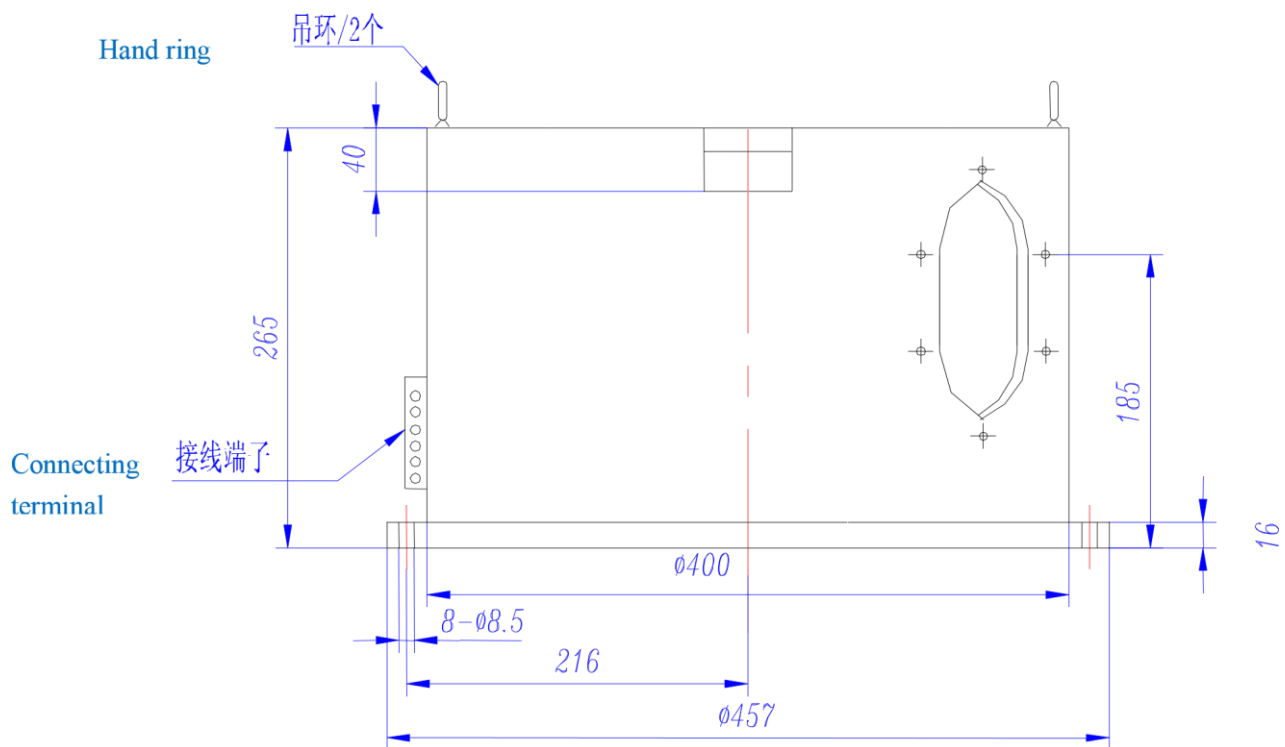
NELSON

VE1142 C Band High Power Klystron Tube

Gain:	$\geq 50\text{dB}$
Focus means:	electromagnetic coil focus (current $\leq 25\text{A}$, voltage $\leq 100\text{V}$)
Cooling way:	forced air cooling
Filament power:	$\leq 80\text{W}$
Input methods:	coaxial n-type moon seat (50 ohm)
Output methods:	waveguide BJ58, type D flat flange
Tube body and solenoid shape dimension:	see the appendix A1、A2

Appendix A**A1 Tube body outside view see figure 1**

A2 Focus solenoid outside view see figure 2



Air inlet size 风口尺寸

